

	1
	1
	
1-1	
1-1	
1-	
1-	
1-	
1-	11
1-	1
1-	1
1-	1
1-	1
1-10	1
1-11	
1-1	
1-1	
1-1	
1-1	
1-1	0
1-1	
1-1	
	
	
-1	
-1	
-	0
-	1
-	
-	
-	
-	
-	1
-10	
-11	
-1	
-1	
-1	1
-1	
-1	
-1	
-1	
	0

[2014] 55

- 1.
- 2.
- 3.
- 4.

--

--

		1-1	1	1-1	1-1
		-1	1	-1	-1
		-1	1	-1	-1

1

I/O

C

/

Kei I C

2

1

/ /

Kei I C

MCU

/ /

2

6S ()

/

3

120

4

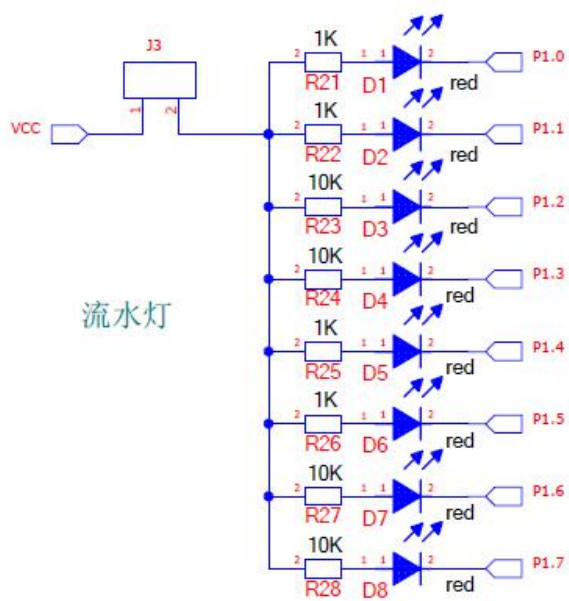
20		10	0	
				1
				2
		10		3
				4
			5	

10

5

30

1



2

PCB

E

3

1

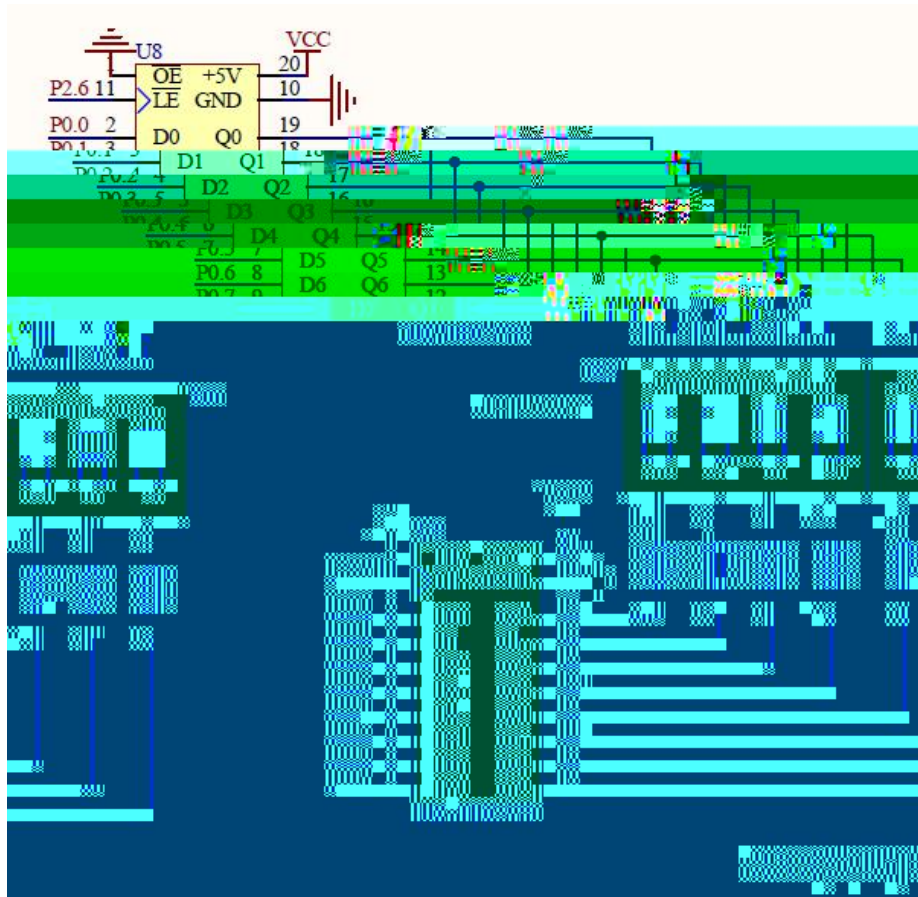


2

PCB
E

3

1

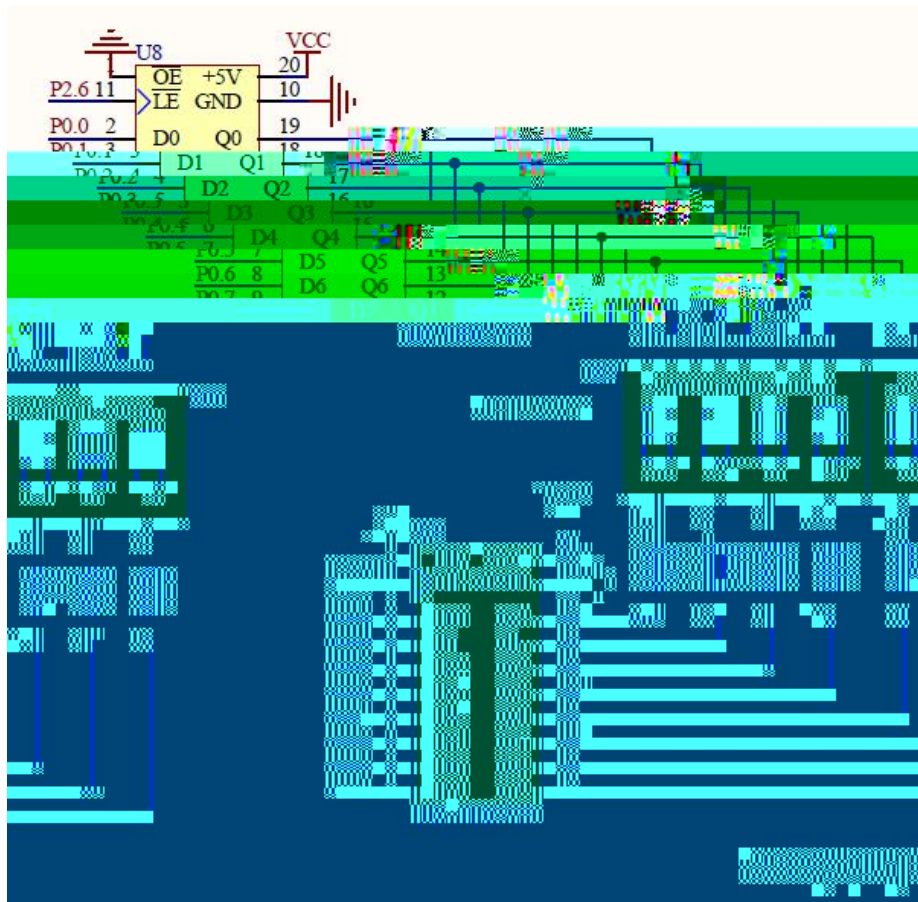


2

PCB
E

3

1



2

PCB

E

3

1

K1 8



2

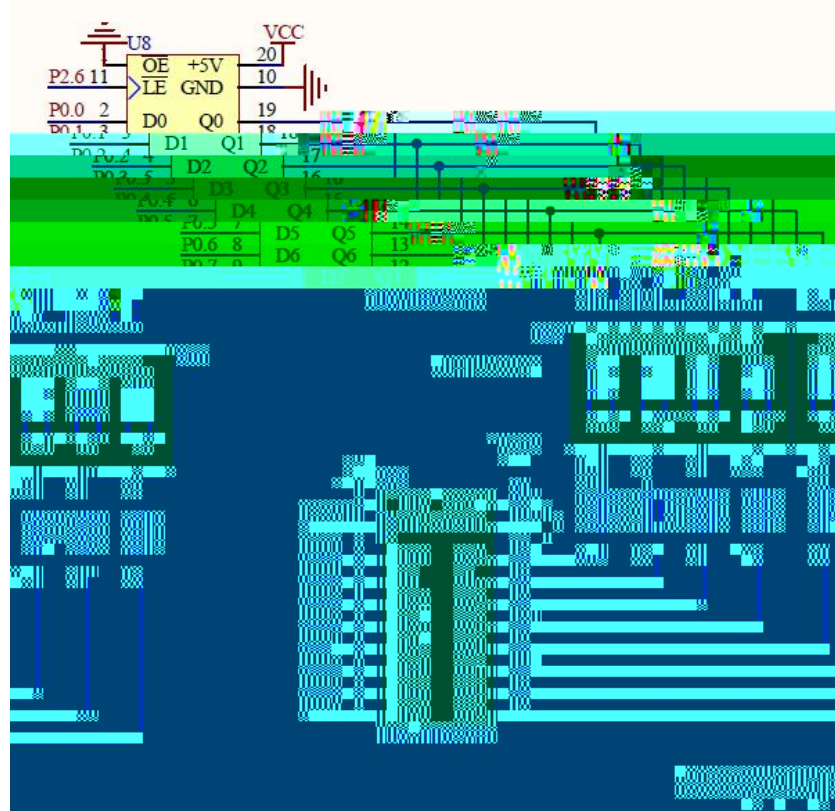
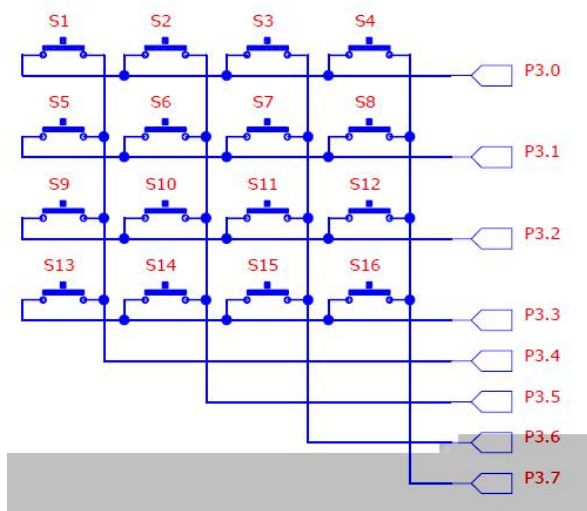
PCB
E

3

1

S1-S16

O-F



2

PCB

E

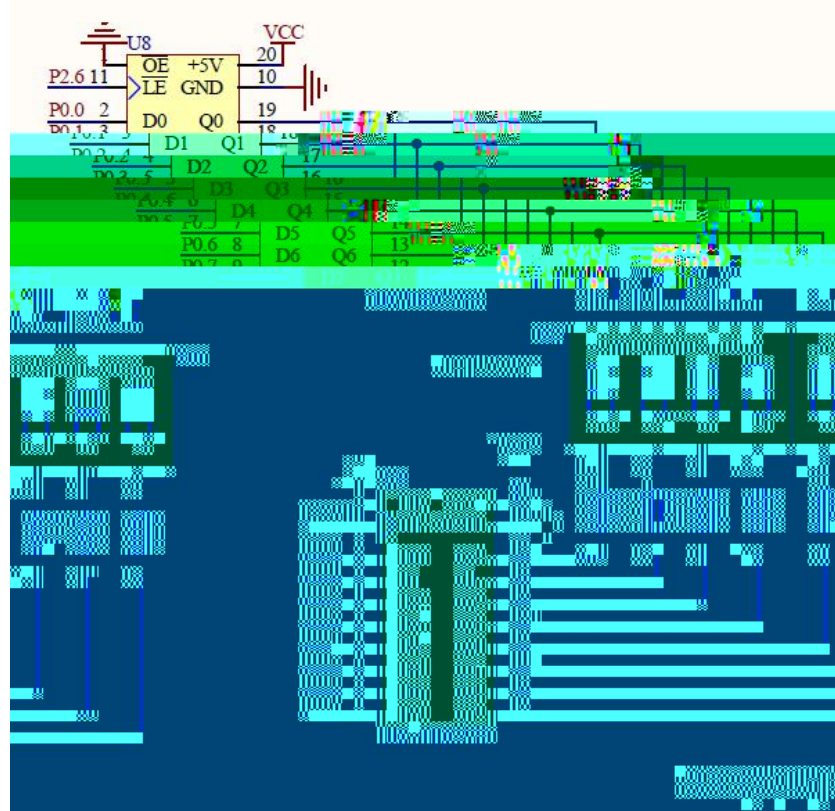
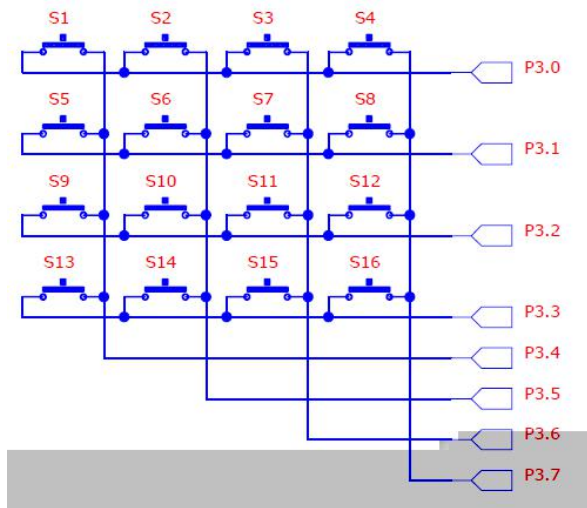
3

1

P3.2

9 0

1



2

PCB

E

3

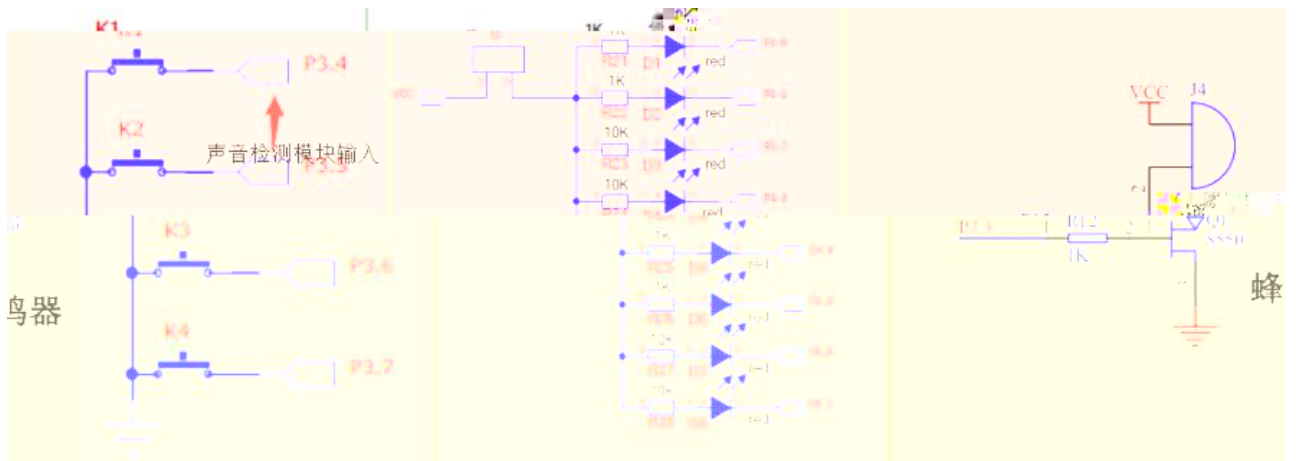
1

1

P3.4

P3.4

D1



1

2

PCB
E

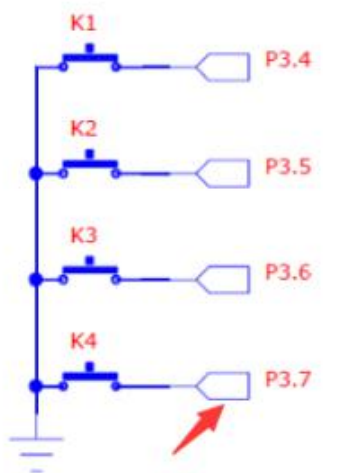
3

1

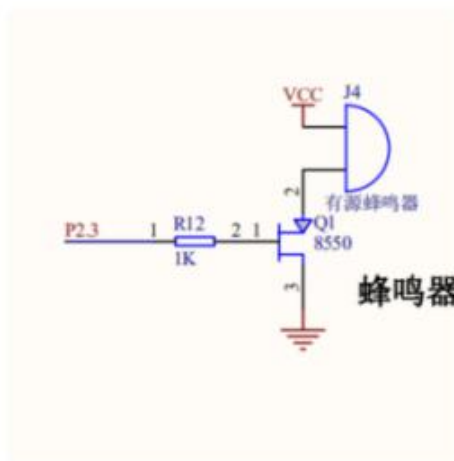
P3.7

1

P3.7



天然气检测装置信号输



1

2

PCB

E

3

1

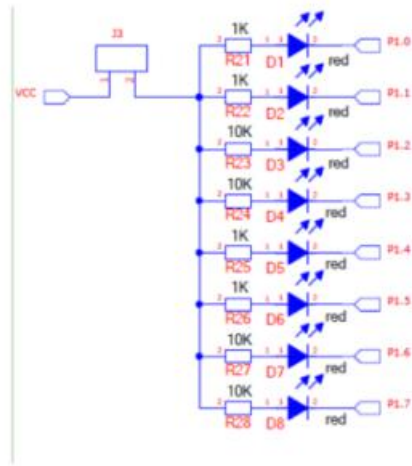
1

K1

D1

K2

D2



1

2

PCB

E

3

1

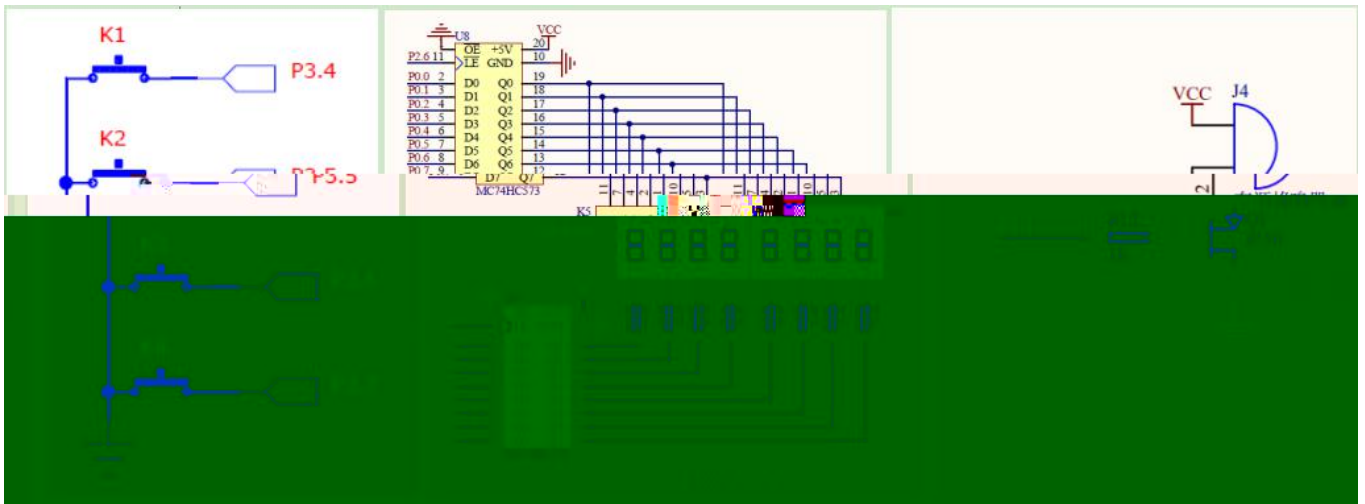
1

K1

K2 K3 K4

K1

" 1"



2

PCB

E

3

1

2



2

PCB

E

3

1

1

P3.6

P3.6



1

2

PCB

E

3

0

1

0.5S 0.5S



2

PCB
E

3

1

K1

D1-D4

K2

D5-D8



2

PCB

E

3

1

/ /

1

/ /

/ /

()

/

1 0

20		10			0
			1		
		10	2		
			3		

			4	
			5	
30		10		
		5		
		5		
		10		
50		5		
		5	1 2	PCB
		10		
		15	1 2 3	
		15		

5

18

1



2

3

1



2

3

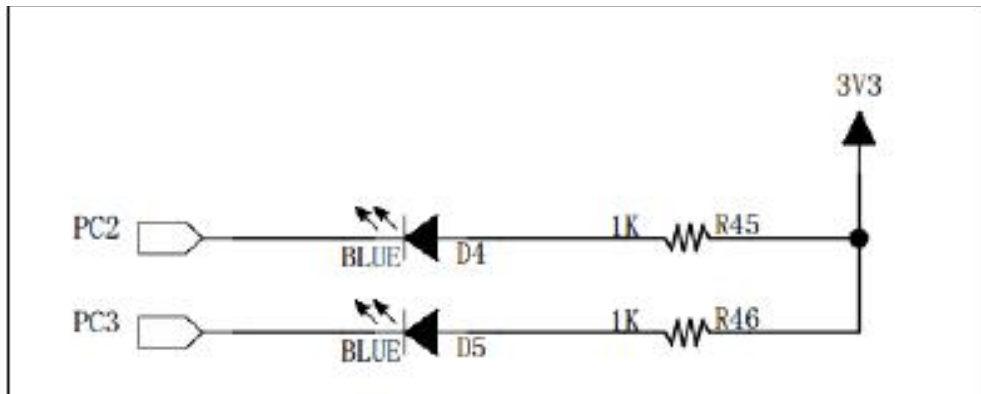
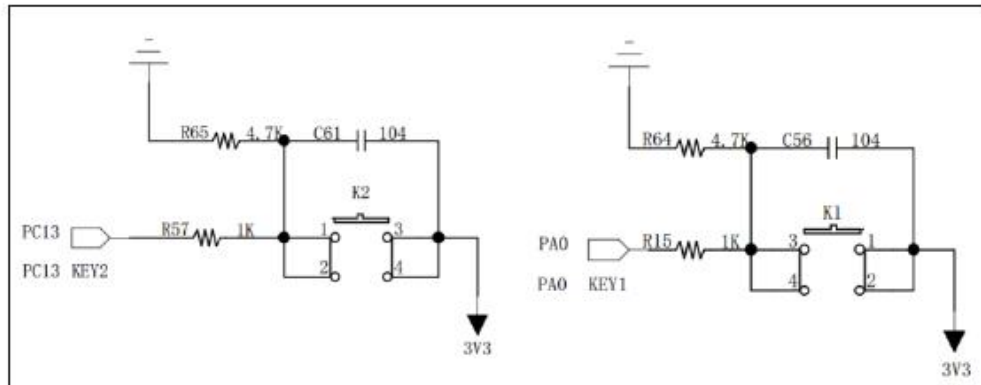
1



2

3

1



2

3

1



2



3

1

1	VBAT	VDD	64
2	PC13/ANT1	VSS	63
3	PC14/OSC32	PB9/TIM4_CH4/SDIO_D5	62
4	PC15/OSC32	PB8/TIM4_CH3/SDIO_D4	61
5	PD0/OSCIN	...	60
6	PD1/OSCOU	BOOT0	59
7	NRST	PB7/I2C1_SDA/TIM4_CH2	58
8	PC0/ADC10	PB6/I2C1_SCL/TIM4_CH1	57
9	PC1/ADC11	PB5/I2C1_SMBA/SPI3_MOSI/I2S3_SD	56
10	PC2/ADC12	PB4/JNTRST/SPI3_MISO	55
11	PC3/ADC13	PB3/JTDO/SPI3_SCK/I2S3_CK	54
12	VSSA	PD2/U5_RX/TIM3_ETR/SDIO_CMD	53
13	VDDA	PC12/U5_TX/SDIO_CK	52
14	PA0/WKUP/ADC0/TIM2_CH1_ETR/TIM5_CH1/TIM8_ETR	PC11/U4_RX/SDIO_D3	51
15	PA1/ADC1/TIM2_CH2/TIM5_CH2	PC10/U4_TX/SDIO_D2	50
16	PA2/U2_TX/ADC2/TIM2_CH3/TIM5_CH3	PA15/JTDI/SPI3_NSS/I2S3_WS	49
17	PA3/U2_RX/ADC3/TIM2_CH4/TIM5_CH4	PA14/JTCK/SWCLK	48
18	VDD	VDD	4
19	VSS	VSS	5
20	PA4/ADC0/ADC10/ADC11	PA13/TIM2_CH3	6
21	PA5/ADC0/ADC10/ADC11	PA12/TIM2_CH2	7
22	PA6/ADC0/ADC10/ADC11	PA11/TIM2_CH1	8
23	PA7/ADC0/ADC10/ADC11	PA10/TIM2_CH0	9
24	PA8/ADC0/ADC10/ADC11	PA9/TIM2_CH0	10
25	PA9/ADC0/ADC10/ADC11	PA8/TIM2_CH0	11
26	PA10/ADC0/ADC10/ADC11	PA7/TIM2_CH0	12
27	PA11/ADC0/ADC10/ADC11	PA6/TIM2_CH0	13
28	PA12/ADC0/ADC10/ADC11	PA5/TIM2_CH0	14
29	PA13/ADC0/ADC10/ADC11	PA4/TIM2_CH0	15
30	PA14/ADC0/ADC10/ADC11	PA3/TIM2_CH0	16
31	PA15/ADC0/ADC10/ADC11	PA2/TIM2_CH0	17
32	PA16/ADC0/ADC10/ADC11	PA1/TIM2_CH0	18
33	PA17/ADC0/ADC10/ADC11	PA0/TIM2_CH0	19
34	PA18/ADC0/ADC10/ADC11	PA15/TIM2_CH0	20
35	PA19/ADC0/ADC10/ADC11	PA14/TIM2_CH0	21
36	PA20/ADC0/ADC10/ADC11	PA13/TIM2_CH0	22
37	PA21/ADC0/ADC10/ADC11	PA12/TIM2_CH0	23
38	PA22/ADC0/ADC10/ADC11	PA11/TIM2_CH0	24
39	PA23/ADC0/ADC10/ADC11	PA10/TIM2_CH0	25
40	PA24/ADC0/ADC10/ADC11	PA9/TIM2_CH0	26
41	PA25/ADC0/ADC10/ADC11	PA8/TIM2_CH0	27
42	PA26/ADC0/ADC10/ADC11	PA7/TIM2_CH0	28
43	PA27/ADC0/ADC10/ADC11	PA6/TIM2_CH0	29
44	PA28/ADC0/ADC10/ADC11	PA5/TIM2_CH0	30
45	PA29/ADC0/ADC10/ADC11	PA4/TIM2_CH0	31
46	PA30/ADC0/ADC10/ADC11	PA3/TIM2_CH0	32
47	PA31/ADC0/ADC10/ADC11	PA2/TIM2_CH0	33
48	PA32/ADC0/ADC10/ADC11	PA1/TIM2_CH0	34
49	PA33/ADC0/ADC10/ADC11	PA0/TIM2_CH0	35
50	PA34/ADC0/ADC10/ADC11	PA15/TIM2_CH0	36
51	PA35/ADC0/ADC10/ADC11	PA14/TIM2_CH0	37
52	PA36/ADC0/ADC10/ADC11	PA13/TIM2_CH0	38
53	PA37/ADC0/ADC10/ADC11	PA12/TIM2_CH0	39
54	PA38/ADC0/ADC10/ADC11	PA11/TIM2_CH0	40
55	PA39/ADC0/ADC10/ADC11	PA10/TIM2_CH0	41
56	PA40/ADC0/ADC10/ADC11	PA9/TIM2_CH0	42
57	PA41/ADC0/ADC10/ADC11	PA8/TIM2_CH0	43
58	PA42/ADC0/ADC10/ADC11	PA7/TIM2_CH0	44
59	PA43/ADC0/ADC10/ADC11	PA6/TIM2_CH0	45
60	PA44/ADC0/ADC10/ADC11	PA5/TIM2_CH0	46
61	PA45/ADC0/ADC10/ADC11	PA4/TIM2_CH0	47
62	PA46/ADC0/ADC10/ADC11	PA3/TIM2_CH0	48
63	PA47/ADC0/ADC10/ADC11	PA2/TIM2_CH0	49
64	PA48/ADC0/ADC10/ADC11	PA1/TIM2_CH0	50

2

3

1



2

3

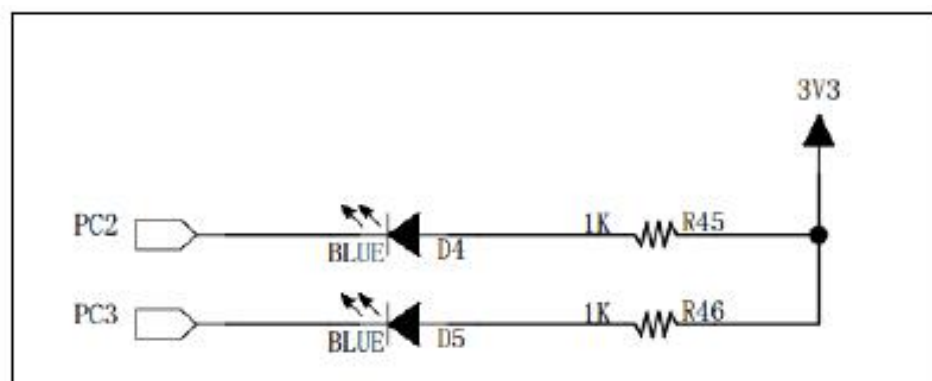
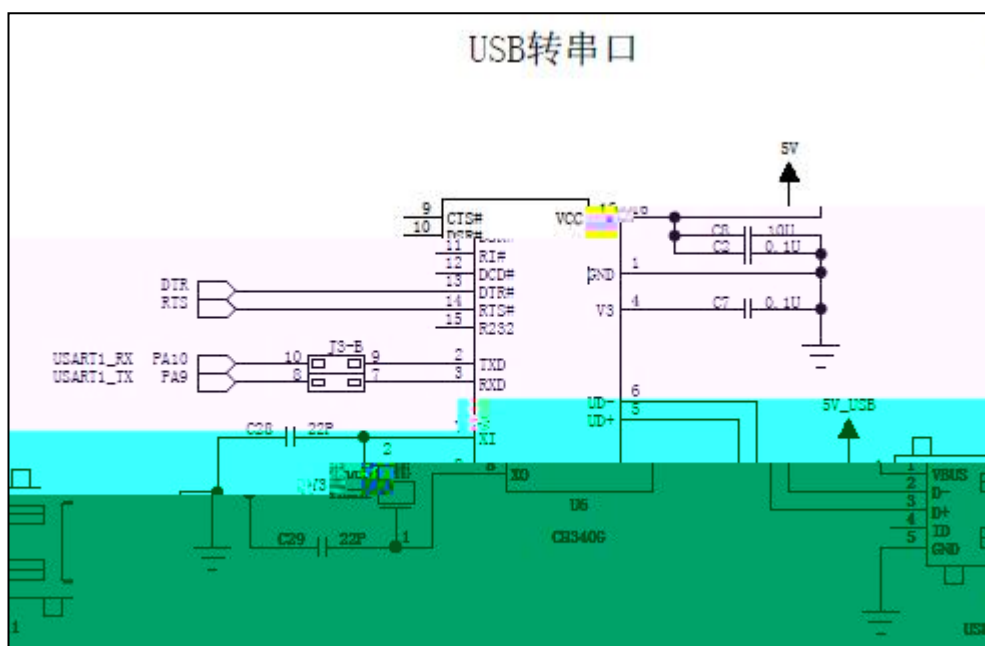
1

1	VBAT	VDD	64
2	PC13/ANT1	VSS	63
3	PC14/OSC32	PB9/TIM4_CH4/SDIO_D5	62
4	PC15/OSC32	PB8/TIM4_CH3/SDIO_D4	61
5	PD0/OSCIN	BOOT0	60
6	PD1/OSCCOUT	PB7/I2C1_SDA/TIM4_CH2	59
7	NRST	PB6/I2C1_SCL/TIM4_CH1	58
8	PC0/ADC10	PB5/I2C1_SMBA/SPI3_MOSI/I2S3_SD	57
9	PC1/ADC11	PB4/JNTRST/SPI3_MISO	56
10	PC2/ADC12	PB3/JTDC/SPI3_SCK/I2S3_CK	55
11	PC3/ADC13	PD2/U5_RX/TIM3_ETR/SDIO_CMD	54
12	VSSA	PC12/U5_TX/SDIO_CK	53
13	VDDA	PC11/U4_RX/SDIO_D3	52
14	PA0/WKUP/ADC0/TIM2_CH1_ETR/TIM5_CH1/TIM8_ETR	PC10/U4_TX/SDIO_D2	51
15	PA1/ADC1/TIM2_CH2/TIM5_CH2	PA15/JTDI/SPI3_NSS/I2S3_WS	50
16	PA2/U2_TX/ADC2/TIM2_CH3/TIM5_CH3	PA14/JTCK/SWCLK	49
17	PA3/U2_RX/ADC3/TIM2_CH4/TIM5_CH4	VDD	4
18	PC4	VDD	5
19	PC5	PA13/TIM8_ETR	48
20	PC6	PA12/CKI1/ADC12_IN1	47
21	PC7	PA11/CKI2/ADC12_IN2	46
22	PC8	PA10/CKI3/ADC12_IN3	45
23	PC9	PA9/CKI4/ADC12_IN4	44
24	PC10	PA8/CKI5/ADC12_IN5	43
25	PC11	PA7/CKI6/ADC12_IN6	42
26	PC12	PA6/CKI7/ADC12_IN7	41
27	PC13	PA5/CKI8/ADC12_IN8	40
28	PC14	PA4/CKI9/ADC12_IN9	39
29	PC15	PA3/CKI10/ADC12_IN10	38
30	PD4	PA2/CKI11/ADC12_IN11	37
31	PD5	PA1/CKI12/ADC12_IN12	36
32	PD6	PA0/CKI13/ADC12_IN13	35
33	PD7	PA15/CKI14/ADC12_IN14	34
34	PD8	PA14/CKI15/ADC12_IN15	33
35	PD9	PA13/CKI16/ADC12_IN16	32
36	PD10	PA12/CKI17/ADC12_IN17	31
37	PD11	PA11/CKI18/ADC12_IN18	30
38	PD12	PA10/CKI19/ADC12_IN19	29
39	PD13	PA9/CKI20/ADC12_IN20	28
40	PD14	PA8/CKI21/ADC12_IN21	27
41	PD15	PA7/CKI22/ADC12_IN22	26
42	PE4	PA6/CKI23/ADC12_IN23	25
43	PE5	PA5/CKI24/ADC12_IN24	24
44	PE6	PA4/CKI25/ADC12_IN25	23
45	PE7	PA3/CKI26/ADC12_IN26	22
46	PE8	PA2/CKI27/ADC12_IN27	21
47	PE9	PA1/CKI28/ADC12_IN28	20
48	PE10	PA15/CKI29/ADC12_IN29	19
49	PE11	PA14/CKI30/ADC12_IN30	18
50	PE12	PA13/CKI31/ADC12_IN31	17
51	PE13	PA12/CKI32/ADC12_IN32	16
52	PE14	PA11/CKI33/ADC12_IN33	15
53	PE15	PA10/CKI34/ADC12_IN34	14
54	PF4	PA9/CKI35/ADC12_IN35	13
55	PF5	PA8/CKI36/ADC12_IN36	12
56	PF6	PA7/CKI37/ADC12_IN37	11
57	PF7	PA6/CKI38/ADC12_IN38	10
58	PF8	PA5/CKI39/ADC12_IN39	9
59	PF9	PA4/CKI40/ADC12_IN40	8
60	PF10	PA3/CKI41/ADC12_IN41	7
61	PF11	PA2/CKI42/ADC12_IN42	6
62	PF12	PA1/CKI43/ADC12_IN43	5
63	PF13	PA15/CKI44/ADC12_IN44	4
64	PF14	PA14/CKI45/ADC12_IN45	3
65	PF15	PA13/CKI46/ADC12_IN46	2
66	PF16	PA12/CKI47/ADC12_IN47	1

2

3

1

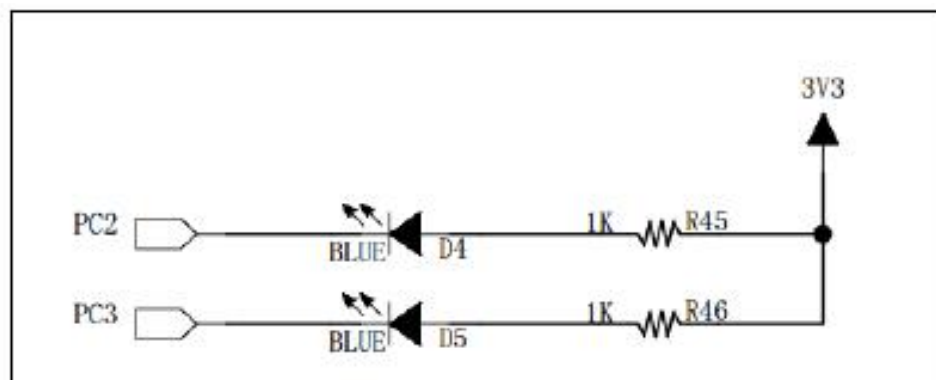
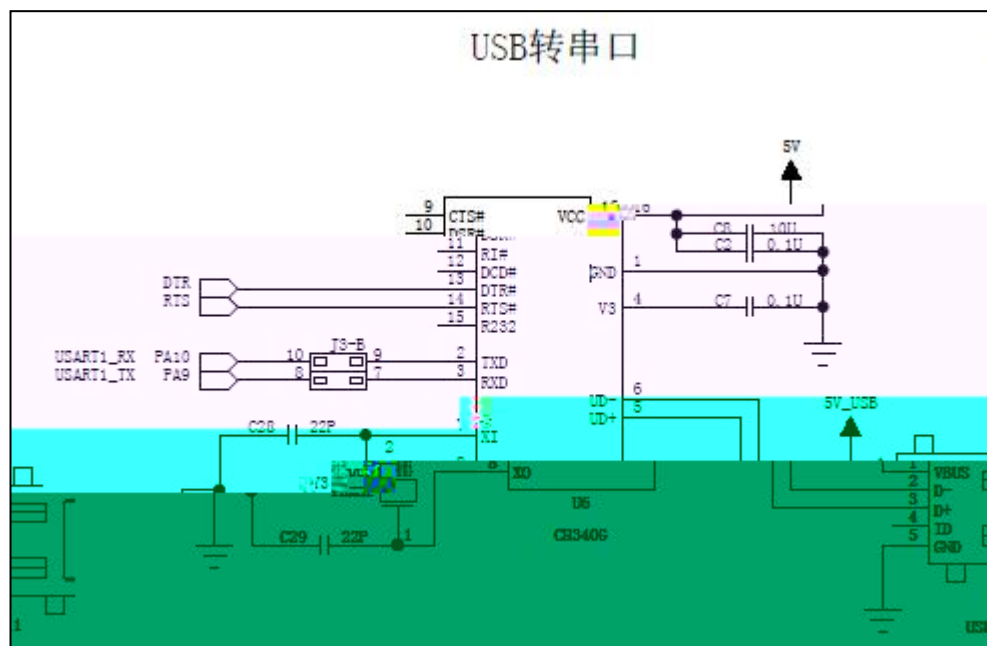


2

3

-

1



2

3

-

1

2

5

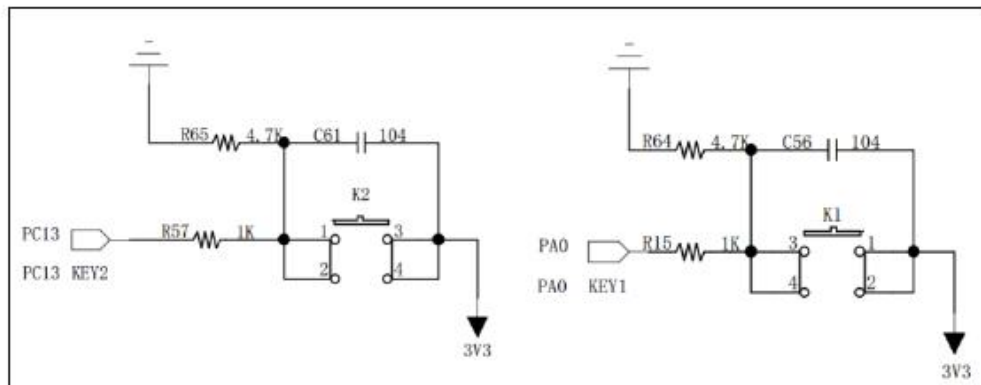
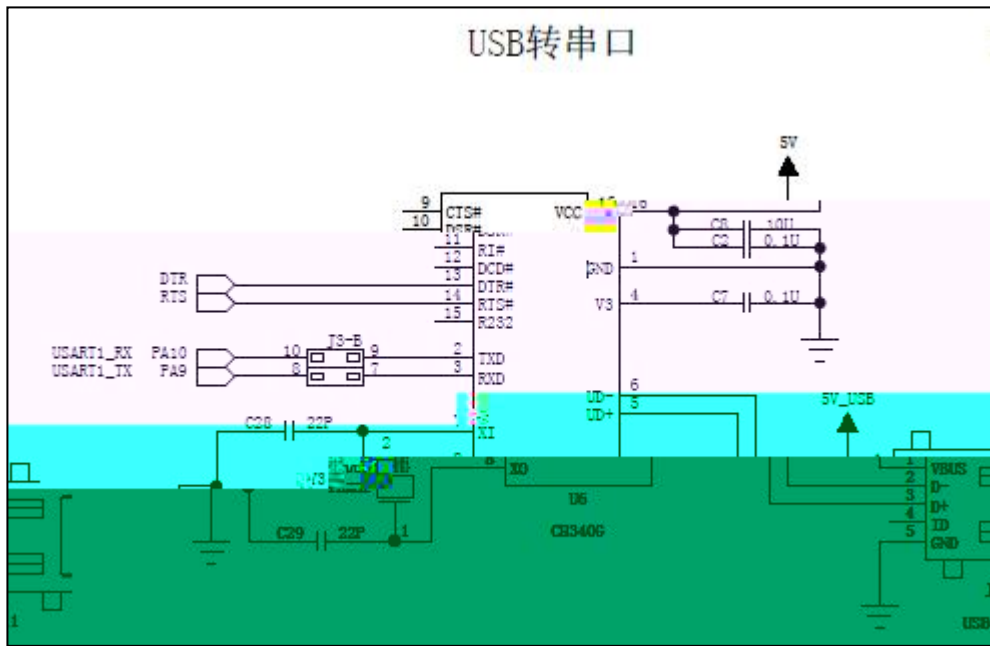


2

3

-

1

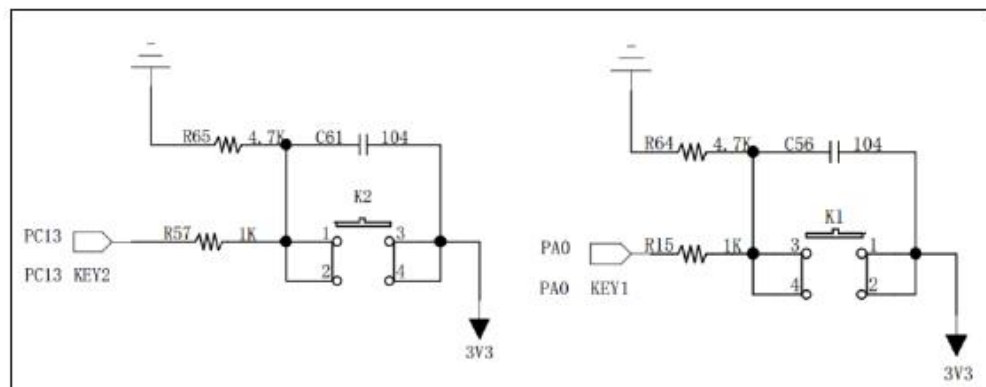
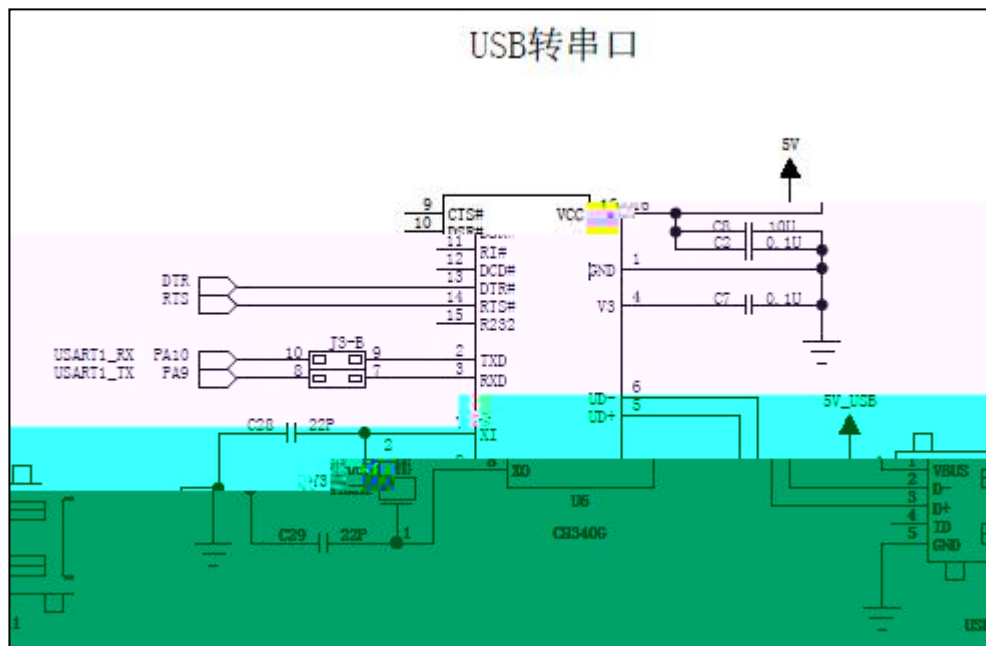


2

3

-

1



2

3

-

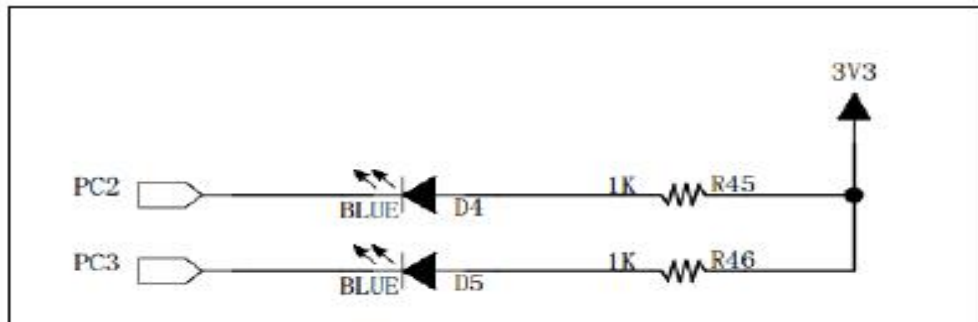


2

3

-

1



2

3



2

3

-

3

-

1

1

/ /

.

.0

/ /

()

/

1 0

20		10			0	
			6			
			7			
		10	8			
			9			

			10	
30				
		10		
		10		
50				
		10		

5

18

1

2

20sp

RGB

#FF0000

欢迎光临



3

:

2
1



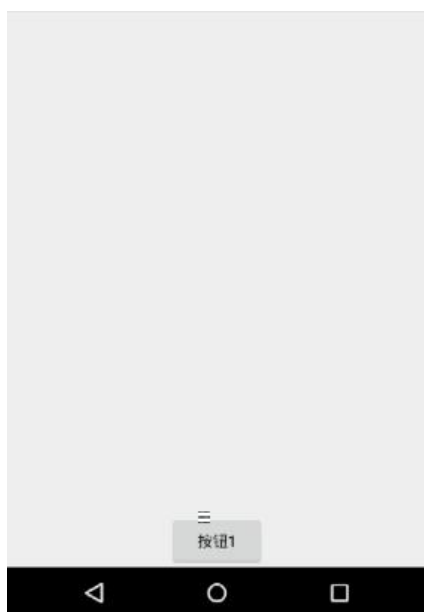
3 :

1

2

1

2



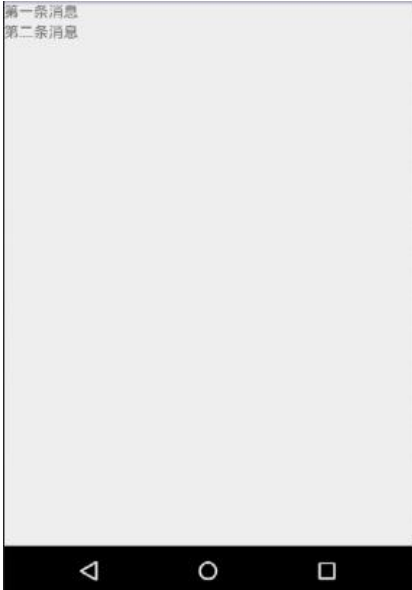
3

:

TextView

2

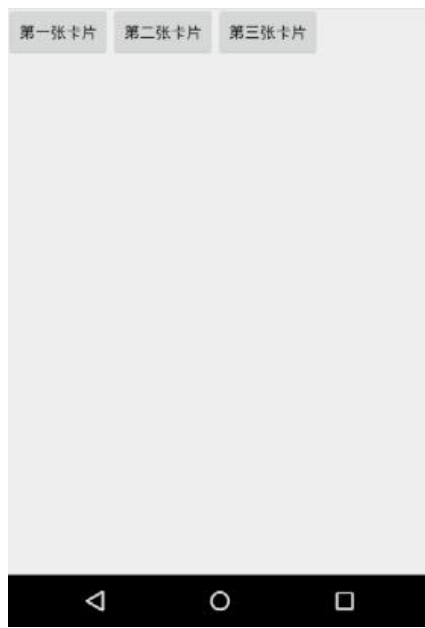
1



3

1

2



3

2

1

2



3

1

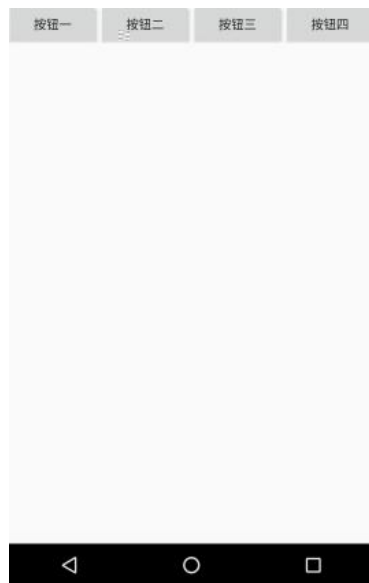
1 1 1 1

2

1

2

1 1 1 1



3

1

2

1



3

1

2

1

2



3

1

2

1

2

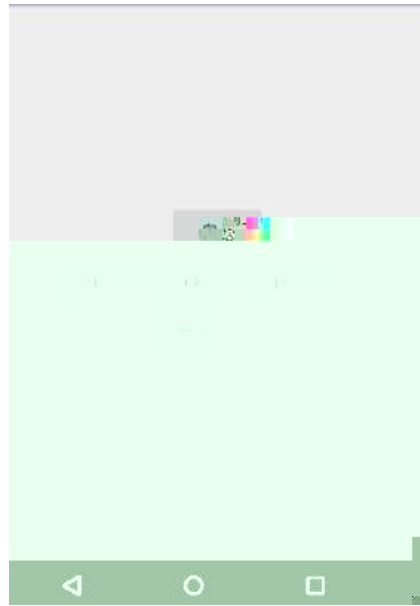


3

1

2

1



3

1

LED

2

1

2

3

TextView LED



3

1

LED

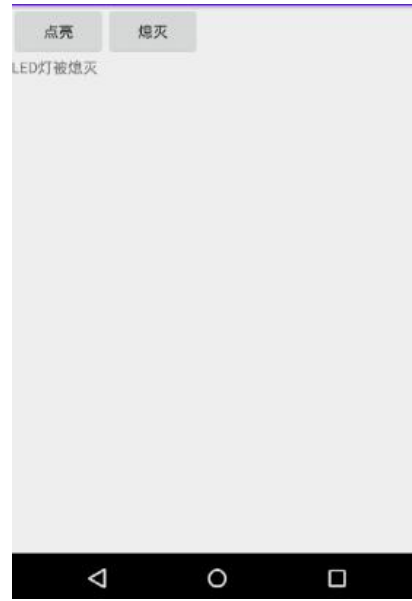
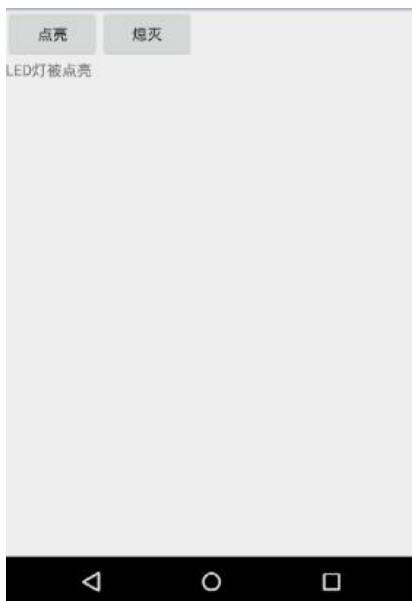
2

1

2

3

TextView LED



3

1

LED

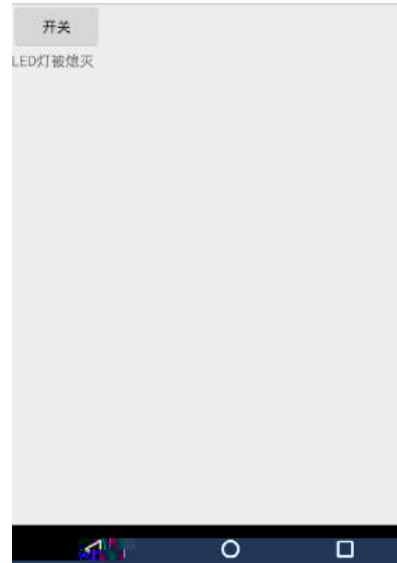
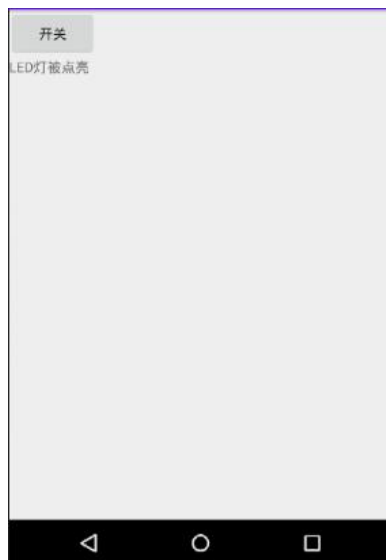
2

1

2

3

TextView LED



3

1

LED

2

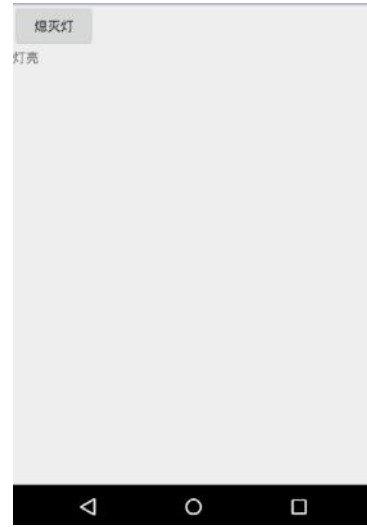
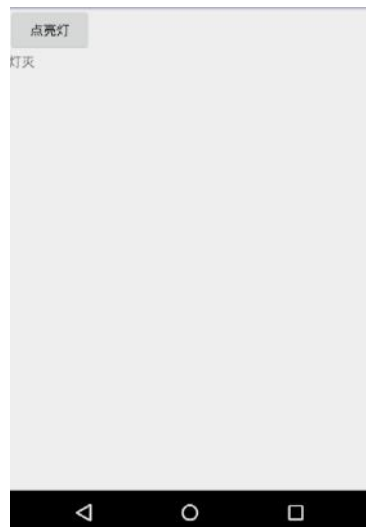
1

2

3

4

TextVi ew



3

1

LED

2

1

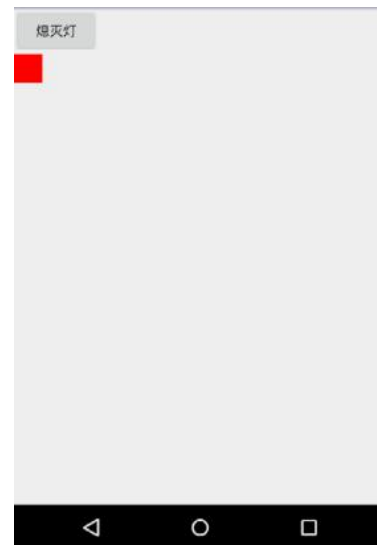
2

3

4

ImageView

30dp*30dp



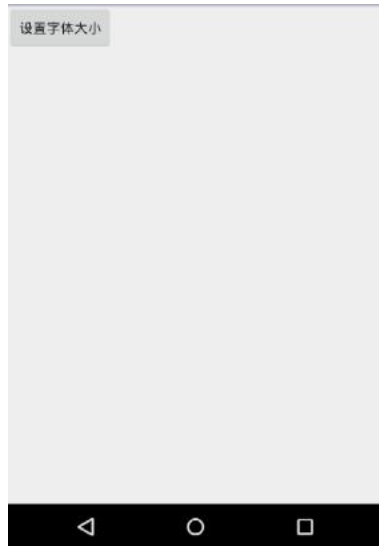
3

1

2

1

2



3

1

2

1

2



3